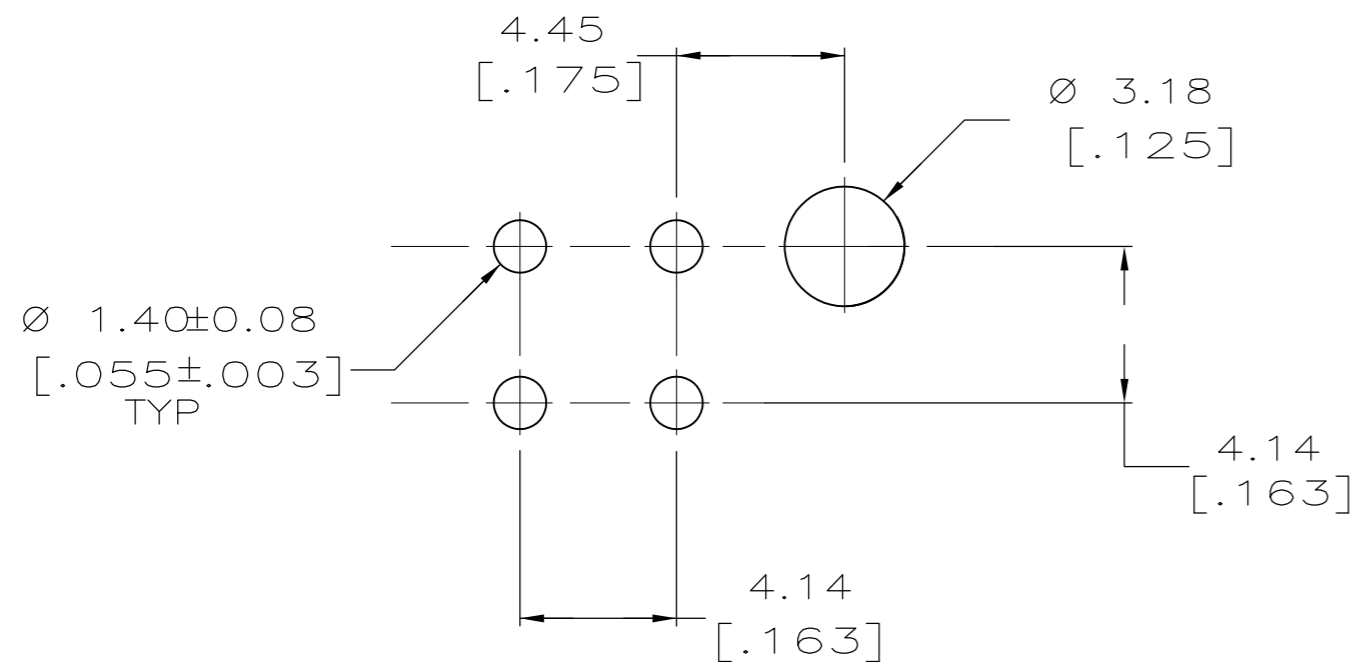
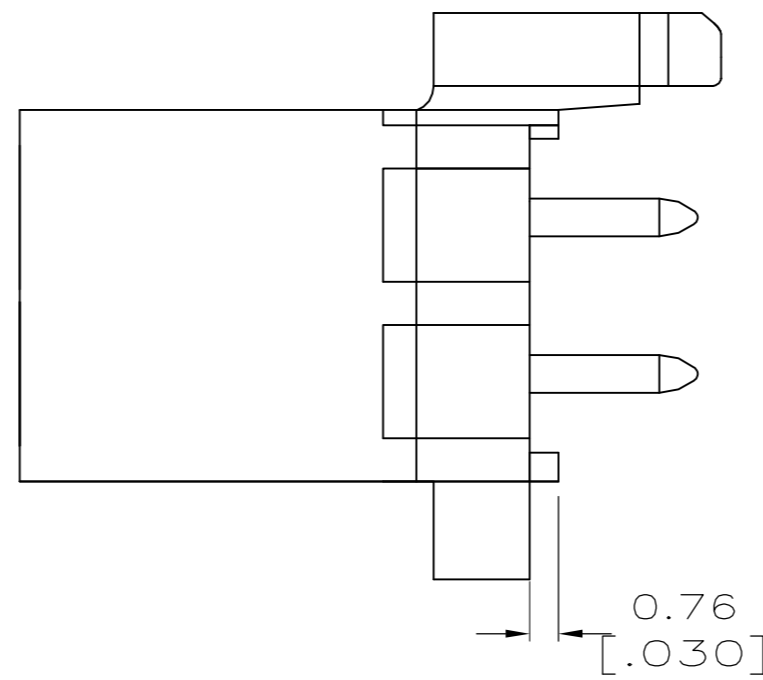
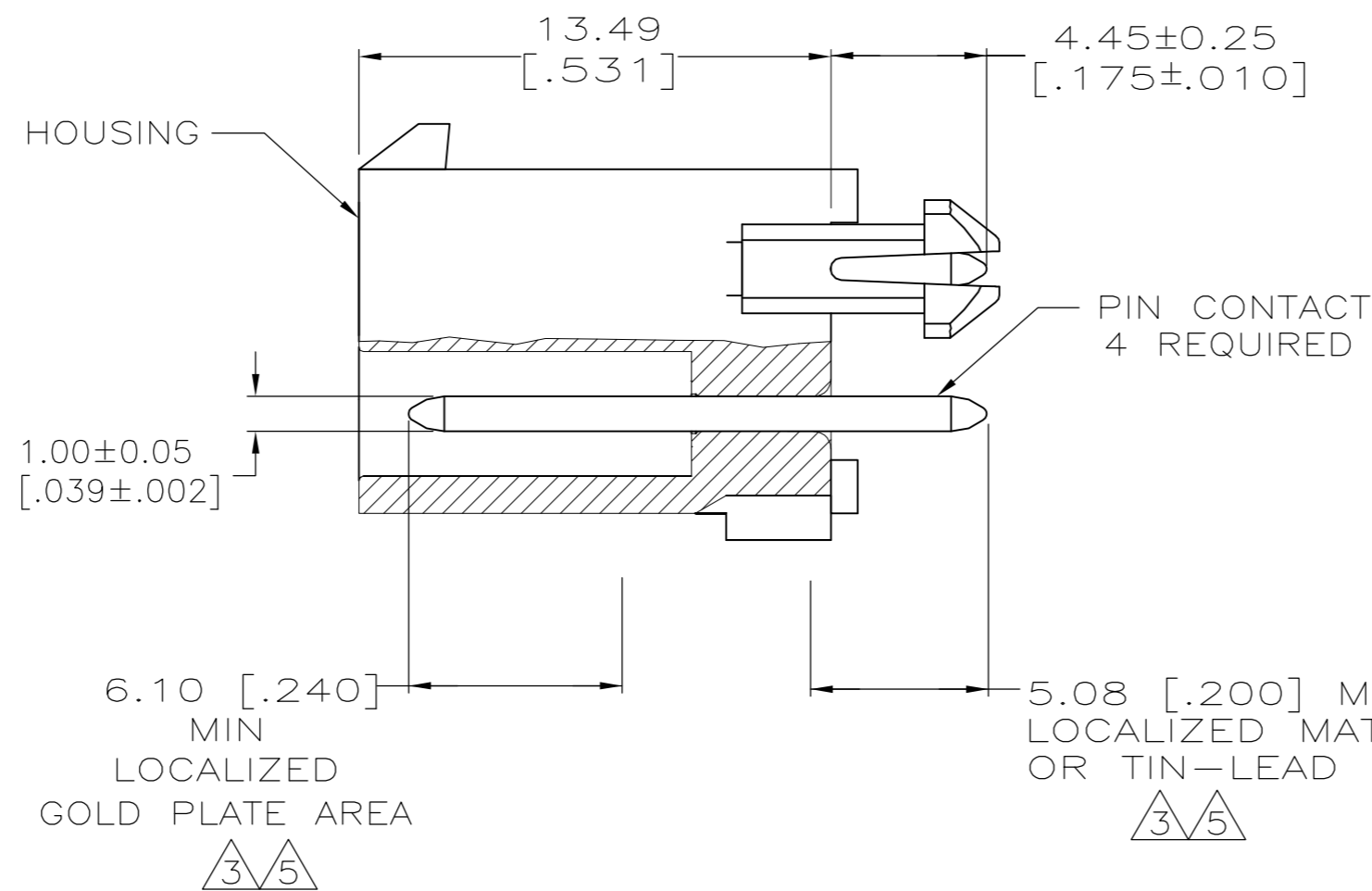
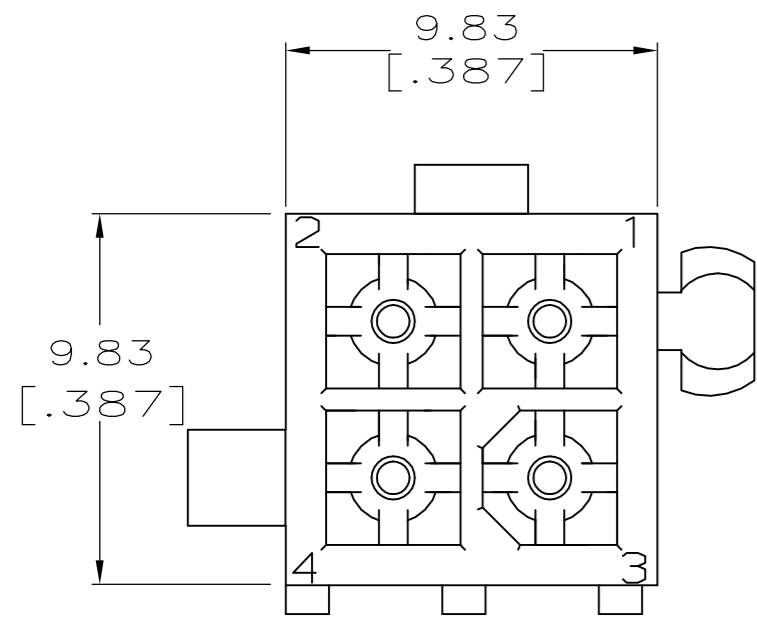


THIS DRAWING IS UNPUBLISHED. RELEASED FOR PUBLICATION  
 © COPYRIGHT - By - ALL RIGHTS RESERVED.

LOC		DIST		REVISIONS			
P	LTR	DESCRIPTION		DATE	DWN	APVD	
CM	0	G		REVISED PER ECR-15-010337	23JUL2015	RK	SC



RECOMMENDED LAYOUT FOR 1.57 [.062] THICK BOARD  
 TOLERANCES NON-ACCUMULATIVE

- PINS TO COMPLY WITH AMP SOLDERABILITY SPEC. 109-11-3.
- DIMENSIONS SHOWN IN BRACKETS ARE IN INCHES.
- 0.00076 [.000030] MIN GOLD PLATE IN THE LOCALIZED GOLD PLATE AREA, 0.00381 [.000150] MATTE TIN LEAD IN THE LOCALIZED TIN LEAD PLATE AREA, BOTH OVER 0.00127 [.000050] MIN NICKEL.
- 0.00381 [.000150] MATTE TIN LEAD OVER 0.00127 [.000050] MIN NICKEL ENTIRE LENGTH OF PIN.
- 0.00076 [.000030] MIN GOLD PLATE IN THE LOCALIZED GOLD PLATE AREA, 0.00381 [.000150] MATTE TIN IN THE LOCALIZED TIN PLATE AREA, BOTH OVER 0.00127 [.000050] MIN NICKEL.
- 0.00381 [.000150] MATTE TIN OVER 0.00127 [.000050] MIN NICKEL ENTIRE LENGTH OF PIN.

NYLON UL94V-0	WHITE	BRASS	5	1-770874-1
NYLON UL94V-0	WHITE	BRASS	6	1-770874-0
NYLON UL94V-0	WHITE	BRASS	3	770874-2
NYLON UL94V-0	WHITE	BRASS	4	770874-1
MATERIAL	COLOR	MATERIAL	FINISH	PART NO.
HOUSING		PIN CONTACT		

DIMENSIONS:		TOLERANCES UNLESS OTHERWISE SPECIFIED:		APVD		NAME	
mm	[INCHES]	0 PLC	± -	1 PLC	± -	K. SALMON 11-5-91	
		2 PLC	± 0.13	R. SWING 11-5-91		TE Connectivity	
		3 PLC	± -	APVD -		HEADER ASSEMBLY, CLOSED BOTTOM, 4 CIRCUIT, MINI-UNIVERSAL MATE-N-LOK	
		4 PLC	± -	PRODUCT SPEC -		SIZE CAGE CODE DRAWING NO	
		ANGLES	± -	APPLICATION SPEC -		A2 00779 C=770874	
MATERIAL	FINISH	WEIGHT	-	RESTRICTED TO		-	
SEE TABLE	SEE TABLE	CUSTOMER DRAWING	SCALE 5:1	SHEET 1 of 1	REV G		

770874